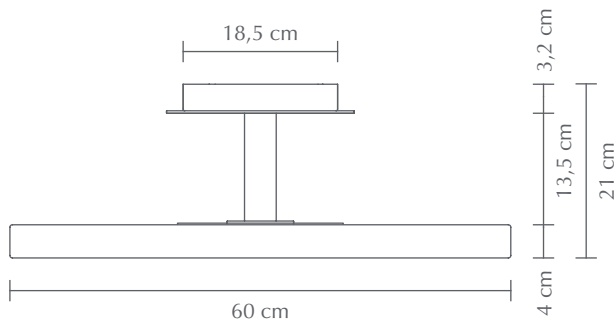


ASTERIA UP

Designed by Soren Ravn Christensen



Colour variations



Pearl white




Anthracite grey

 Surface mounted lamp


 **CERTIFICATION**
CE (for indoor use), IP2X


 **DIMENSIONS**
Ø: 60 cm
H: 21 cm

 **MATERIAL**
Steel and PS
Metal canopy

 **WARRANTY**
10 years warranty against manufacturer defects

 **WEIGHT INCL. PACKAGING**
8,3 kg

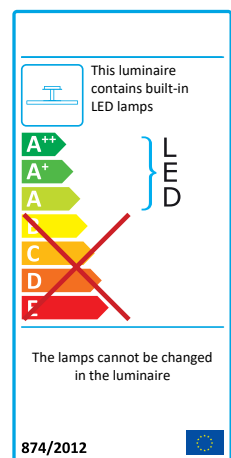
 **LIGHT SOURCE**
37W LED panel incl. ambient top light. 3000 K - 2300 lm. RA: >80 Dimmable with external dimmer. 25000 H

 **PACKAGING**
Gift box dimensions (W×H×D): 81,8 x 62,2 x 7,7 cm

 **ASSEMBLY TIME**
10 min - video guide at umage.com

 **MEDIA KIT**
Photos, 3D models, 2D drawings
Download at umagepress.com

 **ORDERING INFORMATION**
Asteria Up pearl white #2329
Asteria Up anthracite grey #2330




UMAGE

The specifications and dimensions are subject to change without notice. Document date: 22-05-2019
Kongens Nytorv 15, DK-1050 Copenhagen K | +45 31 39 31 31 (tel) | info@umage.com | www.umage.com

ASTERIA UP

Designed by Soren Ravn Christensen



Download the UIMAGE Unfold at Home App to help you choose the perfect lamp



UNFOLD
AT HOME

This luminaire contains built-in LED lamps

A vertical energy efficiency scale with seven levels: A++ (dark green), A+ (medium green), A (light green), B (yellow-green), C (yellow), D (orange), and F (red). A red 'X' is drawn over the B, C, D, and F levels. A bracket on the right side of the scale groups the A++ and A+ levels under the label 'LED'.

The lamps cannot be changed in the luminaire

874/2012

